



HOSE REELS



July 2008

All dimensions are nominal. Products may vary slightly to those pictured

PRICING FOR THIS SECTION FOUND IN THE INDUSTRIAL PRODUCTS PRICE LIST

Customer Service - Phone: 1300 349 320 Fax: 1300 349 321

www.fhshose.com.au

MELBOURNE - SYDNEY - NEWCASTLE





HOSE REELS

Description	Page
Air / Water Retractable reels	183
Hot Water Retractable reels	184
Gas Welding Retractable reels	185
Electrical Cord Retractable reels	186
Chemical Retractable reels	187
Food Gas Retractable	188
Garden Hose Retractable reels	189
Potable Water Retractable reels	190
Lubrication Retractable reel	191
Pressure Washer Hose Retractable reels	192
Safety Barrier Tape Retractable reel	193
Breathing Air Retractable reel	194
Fire Hose reel	195
Standard Steel Manually Operated reels	196

All dimensions are nominal. Products may vary slightly to those pictured

PRICING FOR THIS SECTION FOUND IN THE INDUSTRIAL PRODUCTS PRICE LIST

Customer Service - Phone: 1300 349 320 Fax: 1300 349 321

www.fhshose.com.au

MELBOURNE - SYDNEY - NEWCASTLE





AIR & WATER RETRACTABLE REELS

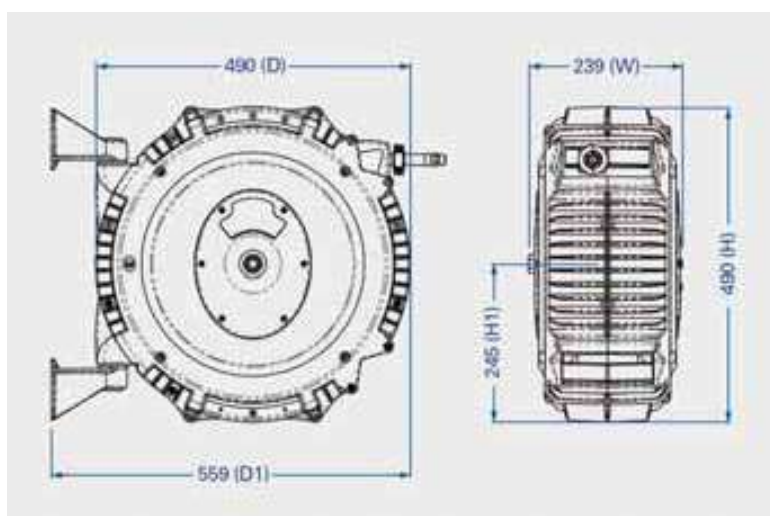


©ReCoila Gen III AW series reels are the perfect solution for general workshop applications such as compressed air and cold water washdown. Temperature Range -5 -> +65deg C

Model	Hose ID	Hose Length	Max PSI	Inlet Fitting	Outlet Fitting	Weight
R-AW815	8 mm	15 m	240	3/8" BSPF	3/8" BSPM	11 kg
R-AW820	8 mm	20 m	240	3/8" BSPF	3/8" BSPM	12 kg
R-AW1015	10 mm	15 m	240	3/8" BSPF	3/8" BSPM	12 kg
R-AW1020	10 mm	20 m	240	3/8" BSPF	3/8" BSPM	12 kg
R-AW1215	12 mm	15 m	240	1/2" BSPF	1/2" BSPM	12 kg
R-AW1218	12 mm	18 m	240	1/2" BSPF	1/2" BSPM	12 kg

Heavy Duty Air Reel model **AWHD1210** is fitted with EPDM Rubber Hose. Ideal for air applications in fabrication areas where welding spatter adversely affects standard hoses

R-AW1210	12 mm	10 m	240	1/2" BSPF	1/2" BSPM	12 kg
----------	-------	------	-----	-----------	-----------	-------



All dimensions are nominal. Products may vary slightly to those pictured

PRICING FOR THIS SECTION FOUND IN THE INDUSTRIAL PRODUCTS PRICE LIST



Customer Service - Phone: 1300 349 320 Fax: 1300 349 321

www.fhshose.com.au

MELBOURNE - SYDNEY - NEWCASTLE

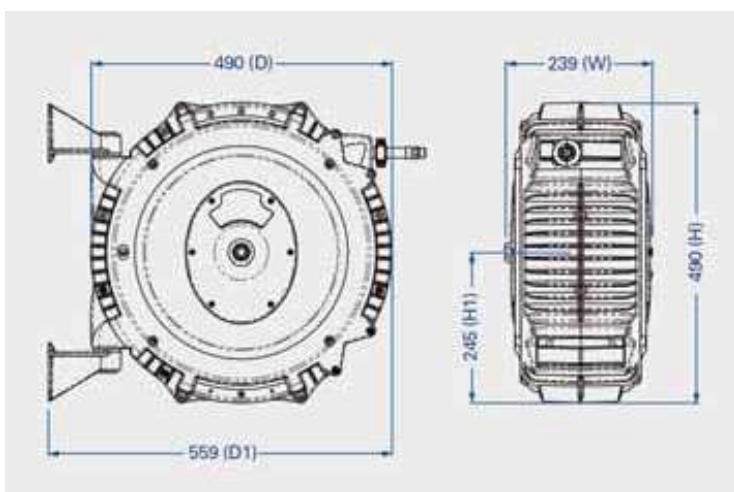


HOT WASHDOWN RETRACTABLE REELS



®ReCoila Gen III HW series reels are specifically designed as the perfect solution for hot water washdown applications in food preparation areas. The white food grade hose is acceptable for food processing areas for hot and cold washdown. The stain and chemical resistant engineered composite material construction allows the reel to be easily washed and hygienically cleaned as and when required. The open top and bottom allows for air circulation and reduces the build up of dirt and grime. The HW series is available with and without the heavy duty fully insulated wash-down gun.

Model	Hose ID	Hose Length	Max PSI	Inlet Fitting	Outlet Fitting	Weight
R-HW1015	10 mm	15 m	240	3/8" BSPF	3/8" BSPM	11 kg
R-HW1020	10 MM	20 m	240	3/8" BSPF	3/8" BSPM	12 kg
R-HW1215	12 MM	15 m	240	1/2" BSPF	1/2" BSPM	12 kg
R-HWG1015	10 mm	15 m	240	3/8" BSPF	H.D GUN	11 kg
R-HWG1020	10 MM	20 m	240	3/8" BSPF	H.D GUN	12 kg
R-HWG1215	12 MM	15 m	240	1/2" BSPF	H.D GUN	12 kg



All dimensions are nominal. Products may vary slightly to those pictured

PRICING FOR THIS SECTION FOUND IN THE INDUSTRIAL PRODUCTS PRICE LIST



Customer Service - Phone: 1300 349 320 Fax: 1300 349 321

www.fhshose.com.au

MELBOURNE - SYDNEY - NEWCASTLE

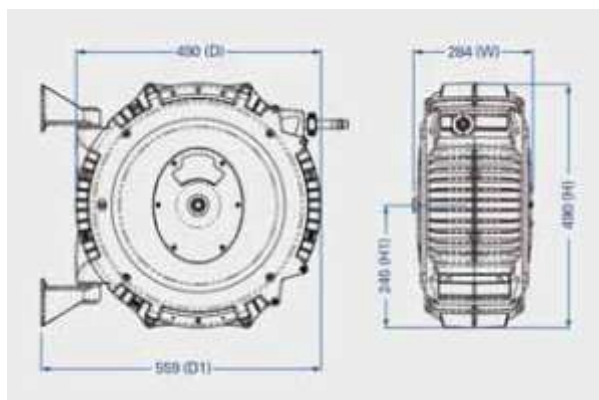


GAS WELDING HOSE RETRACTABLE REELS



@ReCoila Gen III OA, OP, P & A series reels are an ideal compact solution for all gas welding, cutting and shielding gas hose applications. The unique external swivel design on the oxygen and fuel gas reels provides added safety and ease of O-ring and seal replacement. When hoses are sorted by them around trolleys or bottles there is a greater potential of a fire risk. By installing @ReCoila gas reels you not only create a safer working environment, but also extend hose life and gain productivity efficiencies.

Model	Hose ID	Hose Length	Max PSI	Inlet Fitting	Outlet Fitting	Temp deg C	Weight
Oxygen & Acetylene twin hose reel							
R-E-OA68	5 mm	8 m	300	5/8" UNFM	5/8" UNFF	-20/+80	12 kg
R-E-OA615	5 mm	15 m	300	5/8" UNFM	5/8" UNFF	-20/+80	12 kg
Oxygen & Propane twin hose reel							
R-E-OP68	5 mm	8 m	300	5/8" UNFM	5/8" UNFF	-20/+80	12 kg
R-E-OP615	5 mm	15 m	300	5/8" UNFM	5/8" UNFF	-20/+80	12 kg
Propane hose reels							
R-E-OP68	5 mm	8 m	300	5/8" UNFM	5/8" UNFF	-20/+80	12 kg
R-E-OP68	5 mm	8 m	300	5/8" UNFM	5/8" UNFF	-20/+80	12 kg
Argon hose reel							
R-E-A620	5 mm	20 m	300	5/8" UNFM	5/8" UNFF	-20/+80	12 kg



Note:
 BSP, JIS and other thread sizes are available. Hose design specifications are available to meet the international standards such as EN599. All fuel and oxygen gas swivels are leak tested @ 1.4 psi low pressure and 140psi high pressure. Hose options single and twin. 5mm, 6mm, 8mm 10mm.

All dimensions are nominal. Products may vary slightly to those pictured

PRICING FOR THIS SECTION FOUND IN THE INDUSTRIAL PRODUCTS PRICE LIST



Customer Service - Phone: 1300 349 320 Fax: 1300 349 321

www.fhshose.com.au

MELBOURNE - SYDNEY - NEWCASTLE

PRICING IN INDUSTRIAL PRODUCTS PRICE LIST

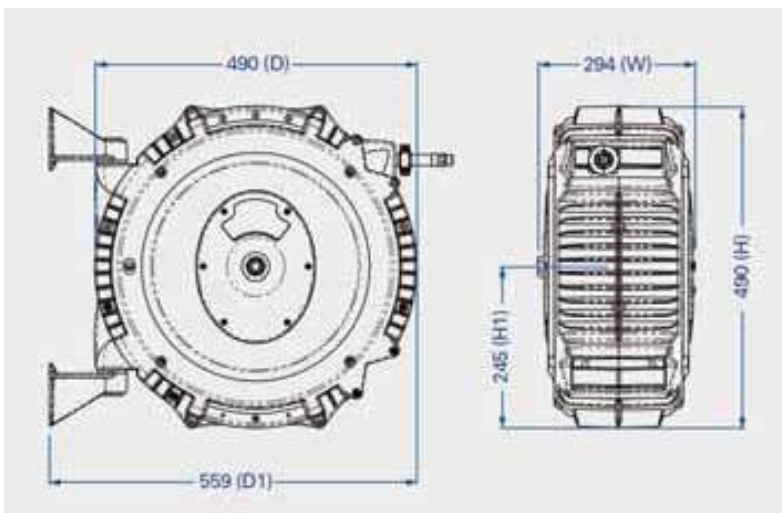


ELECTRICAL CORD RETRACTABLE REELS



@ReCoila Gen III EL series reels are the perfect solution to ensuring cables and cords are stored safely when not in use. When cables and cords are left laying around they are easily damaged resulting in a potential electrocution. Protect your equipment and personnel by installing and using @ReCoila cable & cord reels.

Model	Cable mm ²	Cable Length	No. Cores	Inlet	V / AC	Amp	Outlet	Weight
R-EL24002010	1 mm ²	20 m	3	Plug	240	10	Socket	12 kg
R-EL2402015	2.4 mm ²	20 m	3	Plug	240	15	Socket	12 kg
R-EL4152010	2.4 mm ²	20 m	4	*N/S	415	10	*N/S	12 kg
R-EL4152015	2.4 mm ²	20 m	4	*N/S	415	15	*N/S	12 kg
R-EL4152020	2.4 mm ²	20 m	4	*N/S	415	20	*N/S	12 kg
R-EL4152032	4 mm ²	20 m	4	*N/S	415	32	*N/S	12 kg



Note:
 EL2402010 certified to AS3105. All electrical reels are manufactured in accordance with Australian Electrical Standard AS3105
 *N/S = Not Supplied. Other voltages such as 110, 115, 220, 440, 560, VAC available on request.

All dimensions are nominal. Products may vary slightly to those pictured

PRICING FOR THIS SECTION FOUND IN THE INDUSTRIAL PRODUCTS PRICE LIST



Customer Service - Phone: 1300 349 320 Fax: 1300 349 321

www.fhshose.com.au

MELBOURNE - SYDNEY - NEWCASTLE

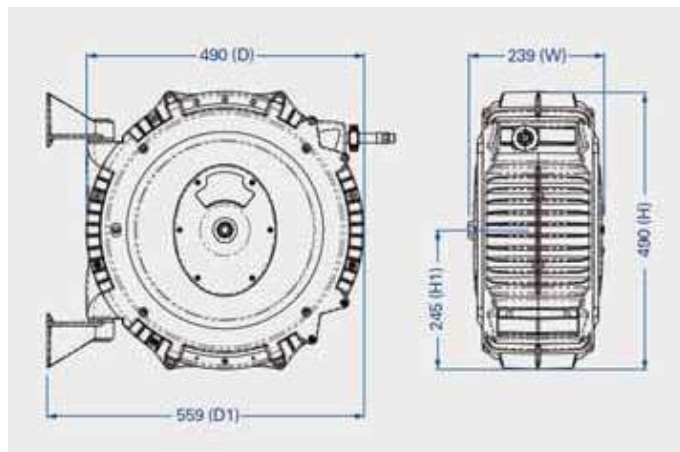


CHEMICAL HOSE RETRACTABLE REEL



©ReCoila Gen III WP series offers a lightweight corrosion proof solution for the dispensing of herbicides and pesticides. Ideally suited to spot spraying from quad bikes and small vehicles.

Model	Hose ID	Hose Length	Max PSI	Inlet Fitting	Outlet Fitting	Temp deg C	Weight
R-WP1015	10 mm	15 m	240	3/8" BSPF	3/8" BSPF	-5/+60	12 kg
R-WP1020	10 mm	20 m	240	3/8" BSPF	3/8" BSPF	-5/+60	12 kg
R-WP1215	12 mm	15 m	240	3/8" BSPF	3/8" BSPF	-5/+60	12 kg



Note:

NPT, JIC, JIS, Metric threads are available on request. Max working pressure of the hose is based on 240 psi @ 30 deg C.

All dimensions are nominal. Products may vary slightly to those pictured

PRICING FOR THIS SECTION FOUND IN THE INDUSTRIAL PRODUCTS PRICE LIST



Customer Service - Phone: 1300 349 320 Fax: 1300 349 321

www.fhshose.com.au

MELBOURNE - SYDNEY - NEWCASTLE

PRICING IN INDUSTRIAL PRODUCTS PRICE LIST

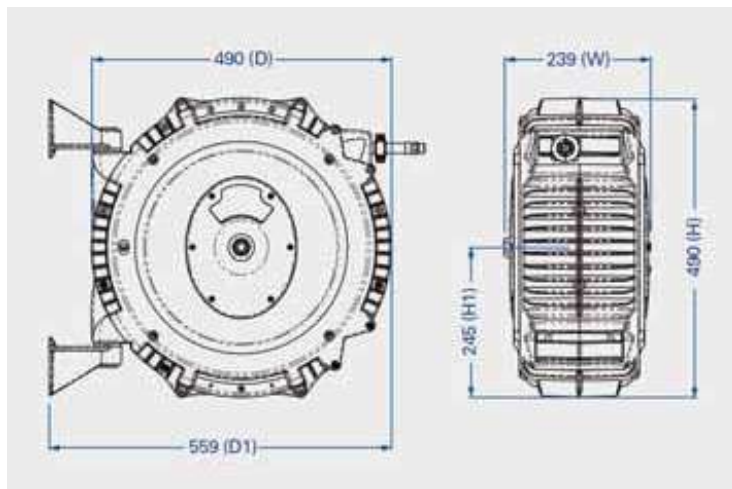


FOOD GAS RETRACTABLE REEL



®ReCoila Gen III FD series are primarily designed for use with wineries to dispense CO2 and or nitrogen gases to blanket the vats and tanks during transfer, storage, fermentation and other processes. Also suited to other food processing industries that require inert gas transfer.

Model	Hose ID	Hose Length	Max PSI	Inlet Fitting	Outlet Fitting	Temp deg C	Weight
R-FD620	6 mm	20 m	240	3/8" BSPF	3/8" BSPM	-30/+65	12 kg
R-FD820	8 mm	20 m	240	3/8" BSPF	3/8" BSPM	-30/+65	12 kg
R-FD1020	10 mm	20 m	240	3/8" BSPF	3/8" BSPM	-30/+65	12 kg
High Pressure Non-Food grade Model							
R-N1015	10 mm	15 m	600	3/8" BSPF	3/8" BSPM	-30/+65	12 kg



Note:

NPT, JIC, JIS, Metric threads are available on request. Max working pressure of the hose is based on 240 psi @ 30 deg C.

All dimensions are nominal. Products may vary slightly to those pictured

PRICING FOR THIS SECTION FOUND IN THE INDUSTRIAL PRODUCTS PRICE LIST



Customer Service - Phone: 1300 349 320 Fax: 1300 349 321

www.fhshose.com.au

MELBOURNE - SYDNEY - NEWCASTLE

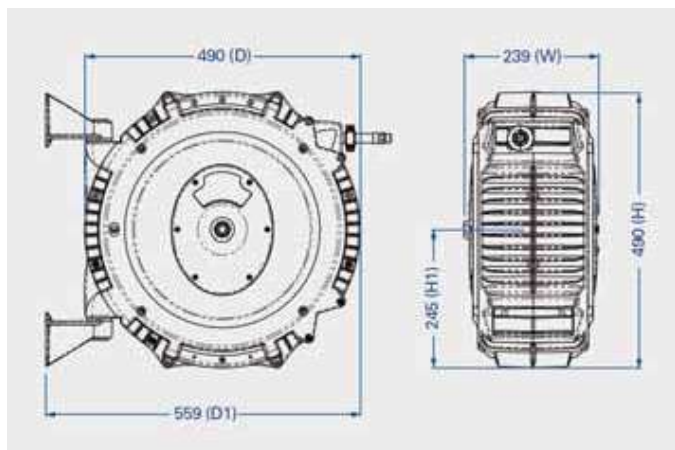


GARDEN HOSE RETRACTABLE REEL



©ReCoila Gen III G series reel is the perfect solution to keep you garden looking great. No more tangles or having to fight the hose every time you water the garden or wash the car. The reel comes complete with a 2m side connection hose and inlet fitting.

Model	Hose ID	Hose Length	Max PSI	Inlet Fitting	Outlet Fitting	Temp deg C	Weight
R-G1218	12 mm	18 m	240	1/2" BSPF	*N/S	-5+60	12 kg



Note:
*N/S = Not supplied, nozzle not included

All dimensions are nominal. Products may vary slightly to those pictured

PRICING FOR THIS SECTION FOUND IN THE INDUSTRIAL PRODUCTS PRICE LIST

Customer Service - Phone: 1300 349 320 Fax: 1300 349 321

www.fhshose.com.au

MELBOURNE - SYDNEY - NEWCASTLE



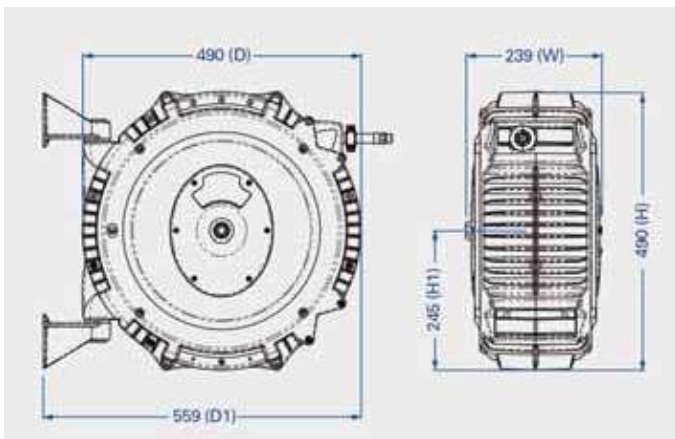


POTABLE WATER HOSE RETRACTABLE REEL



@ReCoila Gen III DW series reels are designed for the transfer of drinking water. The hose has a special inner tube that does not taint or compromise the water quality. Ideal applications are fresh water filling stations for marine pleasure craft, caravan and mobile home filling stations or simply the transfer of drinking water.

Model	Hose ID	Hose Length	Max PSI	Inlet Fitting	Outlet Fitting	Temp deg C	Weight
R-DW1218	12 mm	18 m	240	3/8" BSPF	3/8" BSPM	-5+60	12 kg



Note:

NPT, JIC, JIS, Metric threads are available on request. Max working pressure of the hose is based @ 30 deg C. Standard fittings are MS58 brass. Stainless steel fittings and swivels are available.

All dimensions are nominal. Products may vary slightly to those pictured

PRICING FOR THIS SECTION FOUND IN THE INDUSTRIAL PRODUCTS PRICE LIST



Customer Service - Phone: 1300 349 320 Fax: 1300 349 321

www.fhshose.com.au

MELBOURNE - SYDNEY - NEWCASTLE

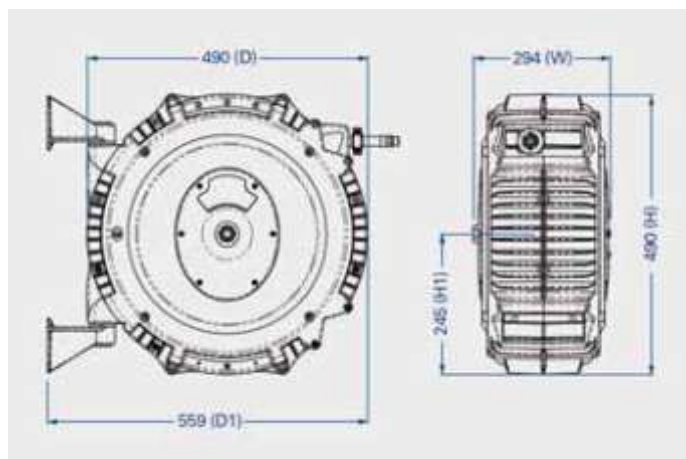


LUBRICATION HOSE RETRACTABLE REEL



@ReCoila Gen III GR & OL series reels are the ideal solution for light duty oil and grease transfer applications.

Model	Hose ID	Hose Length	Max PSI	Inlet Fitting	Outlet Fitting	Temp deg C	Weight
R-GR615	6 mm	15 m	5000	1/4" NPTF	1/2" BSPM	-30/+90	12 kg
R-OL1015	10 mm	15 m	1200	3/8" BSPF	3/8" BSPM	-30/+90	12 kg
R-OL1210	12 mm	10 m	1200	1/2" BSPF	1/2" BSPM	-30/+90	12 kg



Note:

NPT, JIC, JIS, Metric threads are available on request. Max working pressure of the hose is based @ 30 deg C.

All dimensions are nominal. Products may vary slightly to those pictured

PRICING FOR THIS SECTION FOUND IN THE INDUSTRIAL PRODUCTS PRICE LIST



Customer Service - Phone: 1300 349 320 Fax: 1300 349 321

www.fhshose.com.au

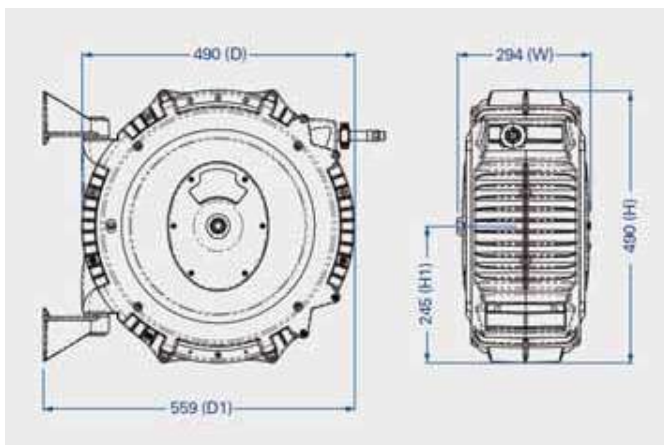
MELBOURNE - SYDNEY - NEWCASTLE

PRESSURE WASHER HOSE RETRACTABLE REEL



®ReCoila Gen III HPW series reels are the perfect solution for use with pressure washers up to 1500 psi. The lightweight and corrosion proof construction make the GEN III HPW series ideal for those wet area applications.

Model	Hose ID	Hose Length	Max PSI	Inlet Fitting	Outlet Fitting	Temp deg C	Weight
R-HPW615	6 mm	15 m	1500	1/4" NPTF	1/4" BSPM	-30/+90	12 kg
R-HPW1015	10 mm	15 m	1500	1/4" NPTF	3/8" BSPM	-30/+90	12 kg



Note:

NPT, JIC, JIS, Metric threads are available on request. Max working pressure of the hose is based @ 30 deg C.

All dimensions are nominal. Products may vary slightly to those pictured

PRICING FOR THIS SECTION FOUND IN THE INDUSTRIAL PRODUCTS PRICE LIST



Customer Service - Phone: 1300 349 320 Fax: 1300 349 321

www.fhshose.com.au

MELBOURNE - SYDNEY - NEWCASTLE

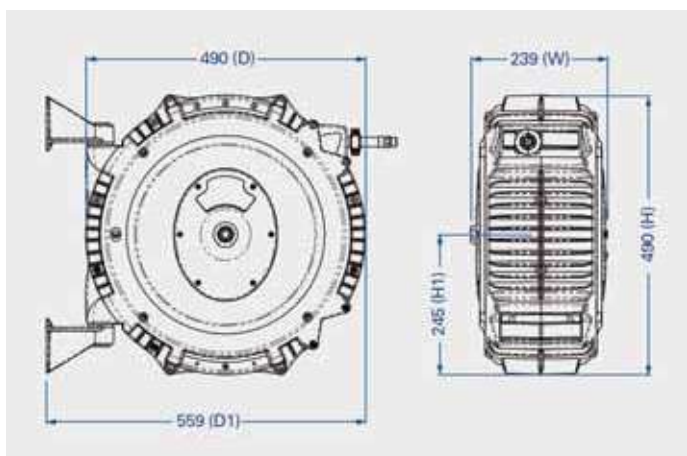


SAFETY BARRIER TAPE RETRACTABLE REEL



Fitted with 20 metres of 50mm wide woven webbing (safety Orange) the ReCoila BAR5020 is the ideal way to quickly & efficiently set up personnel safety barriers for areas that require regular guarding. Additionally this reel is widely used to cordon off roller doors that are required to be open for light and air movement and frequent traffic, however need to be restricted to traffic.

Model	Webbing Width	Webbing Length	End Fitting	Weight
R-BAR5020	50 mm	20 m	Sewn Loop	12 kg



All dimensions are nominal. Products may vary slightly to those pictured

PRICING FOR THIS SECTION FOUND IN THE INDUSTRIAL PRODUCTS PRICE LIST



Customer Service - Phone: 1300 349 320 Fax: 1300 349 321

www.fhshose.com.au

MELBOURNE - SYDNEY - NEWCASTLE

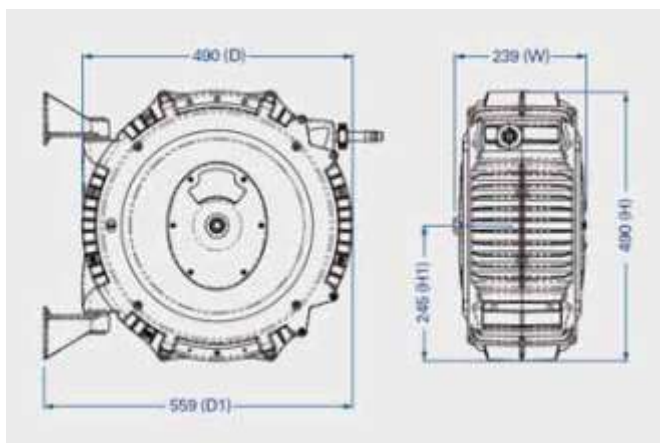


BREATHING AIR RETRACTABLE REEL



®ReCoila Gen III BD series reels are ideally suited for supplying breathing grade air to air fed respirators to better manage the supply hose, making it safer for the operator particularly in confined work areas. This reel is also used for shallow diving applications

Model	Hose ID	Hose Length	Max PSI	Inlet Fitting	Outlet Fitting	Temp deg C	Weight
R-BD820	8 mm	20 m	240	3/8" BSPF	3/8" BSPM	-5/+60	12 kg
R-BD1020	10 mm	20 m	240	3/8" BSPF	3/8" BSPM	-5/+60	12 kg



All dimensions are nominal. Products may vary slightly to those pictured

PRICING FOR THIS SECTION FOUND IN THE INDUSTRIAL PRODUCTS PRICE LIST

Customer Service - Phone: 1300 349 320 Fax: 1300 349 321

www.fhshose.com.au

MELBOURNE - SYDNEY - NEWCASTLE





RETRACTABLE REEL SPARE PARTS

HOSE STOPS

Part Number	Suit Hose ID
R-HS-6	6 mm
R-HS-8	8 mm
R-HS-10	10 mm
R-HS-12	12 mm
R-HS-T6	Twin 6 mm

BRACKETS

Part Number	Qty
R-BRKT	Pair

Steel Reels - Manual & Retractable



MEDIUM & LARGE REELS

Stainless Steel Reels - Manual & Retractable



Hybrid Reels



Water Jetting - Fire Fighting



FIRE HOSE REEL

Australian Standard fixed (Wall Mounted) fire hose reel.

Test Pressure: 2000 Kpa
 Working Pressure: 1500 Kpa
 Nominal Hose ID: 19 mm
 Min Discharge rate: 0.45 L/S 220 Kpa

Installation and commissioning in accordance with AS2441

Comes with Wall Brackets, pipes and 36 metres of hose fitted with nozzle.



Type	Hose Length	Outlet Fitting	Part Number
Standard	3/4" x 36 Mtr	1" BSP	R-HFR-036
Standard	Bare Reel	1" BSP	R-HFR

All dimensions are nominal. Products may vary slightly to those pictured

PRICING FOR THIS SECTION FOUND IN THE INDUSTRIAL PRODUCTS PRICE LIST



Customer Service - Phone: 1300 349 320 Fax: 1300 349 321

www.fhshose.com.au

MELBOURNE - SYDNEY - NEWCASTLE



STANDARD HOSE REELS

Steel Hose Reels come in flat packs for easy shipping.
Standard Hose Reels are pre-drilled to allow mounting on walls etc.
Reels are powder coated.

GREEN REELS = 1/2" Ports
BLACK REELS = 3/4" Ports

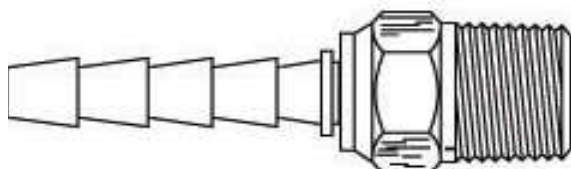
Reels come blank with no hose or fittings.

Pressure rating: The pressure rating is dictated by the swivels and fittings you attach. The reel has a Black Steel socket straight through which irrespective offers a Max W.P of 500psi. (assuming the swivels and hose can handle 500psi)



Type	Hose Capacity	Inlet size	Part Number
Standard	1/2" x 30 Mtr	1/2"	R-HRL-012-030
Standard	1/2" x 50 Mtr	1/2"	R-HRL-012-050
Standard	3/4" x 40 Mtr	3/4"	R-HRL-020-040
Standard	3/4" x 60 Mtr	3/4"	R-HRL-020-060
Standard	3/4" x 100 Mtr	3/4"	R-HRL-020-100
Standard	3/4" x 200 Mtr	3/4"	R-HRL-020-200
Mobile	1/2" x 50 Mtr	1/2"	R-HRM-012-050
Mobile	3/4" x 40 Mtr	3/4"	R-HRM-020-040
Mobile	3/4" x 60 Mtr	3/4"	R-HRM-020-060
Mobile	3/4" x 100 Mtr	3/4"	R-HRM-020-100
Mobile	3/4" x 200 Mtr	3/4"	R-HRM-020-200

BRASS HOSE TAIL SWIVEL TO SUIT REELS (RATED 120PSI)



Hose Tail	Male Swivel BSP	Part Number
1/4"	1/4"	J-P3-0404S
3/8"	3/8"	J-P3-0606S
1/2"	1/2"	J-P3-0808S
3/4"	3/4"	J-P3-1212S
1"	1"	J-P3-1616S

All dimensions are nominal. Products may vary slightly to those pictured

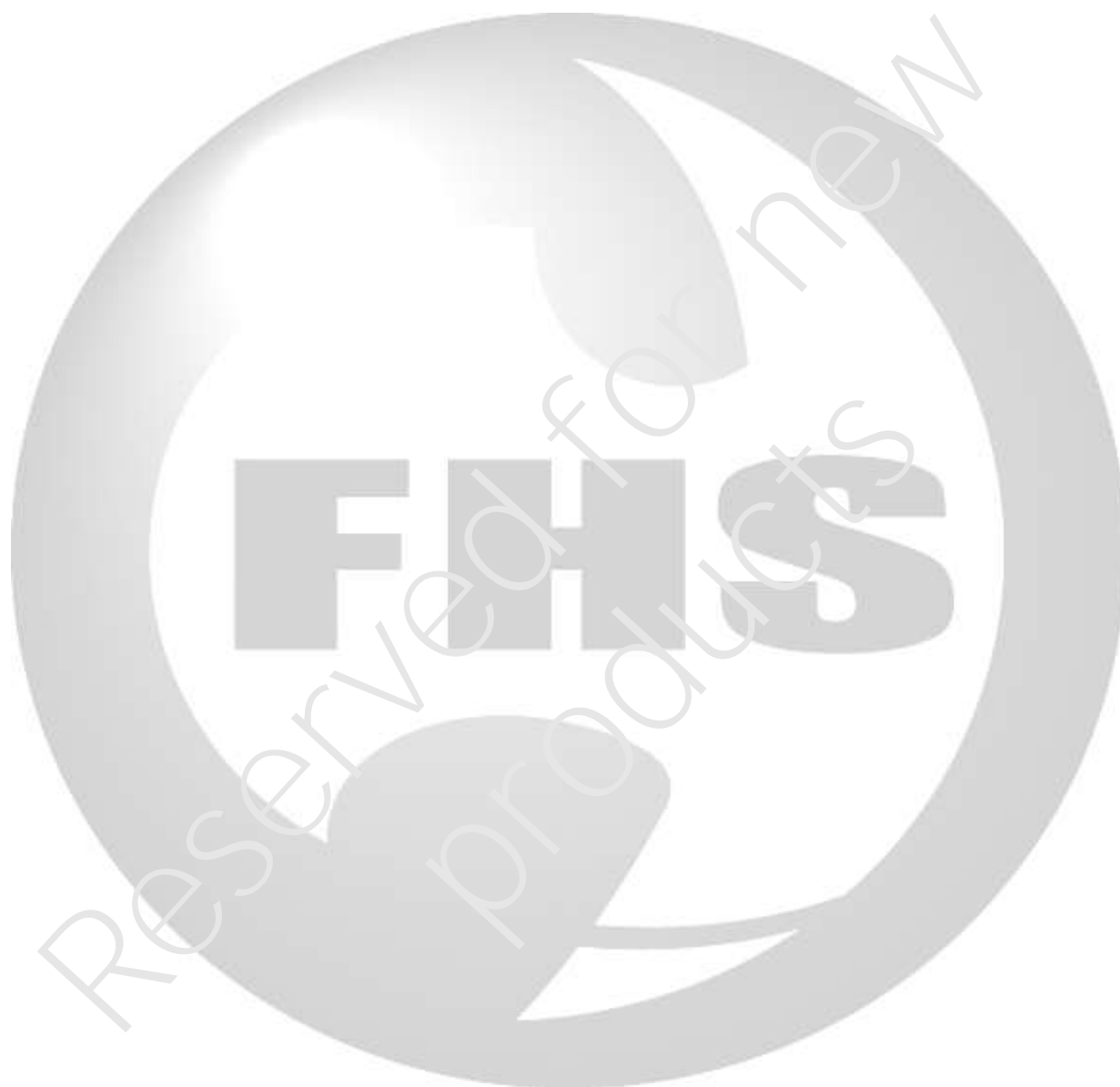
PRICING FOR THIS SECTION FOUND IN THE INDUSTRIAL PRODUCTS PRICE LIST



Customer Service - Phone: 1300 349 320 Fax: 1300 349 321

www.fhshose.com.au

MELBOURNE - SYDNEY - NEWCASTLE



All dimensions are nominal. Products may vary slightly to those pictured

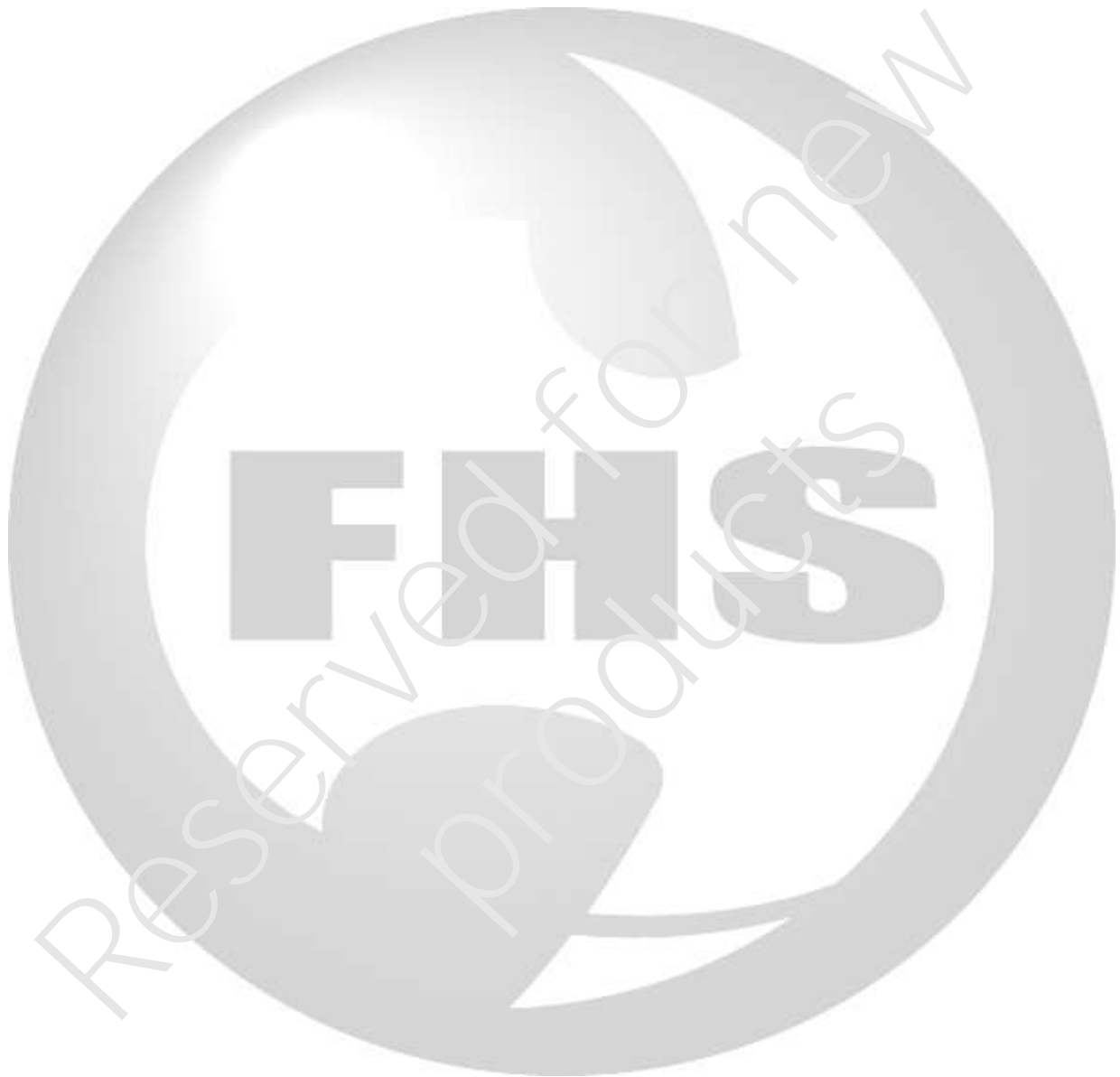
PRICING FOR THIS SECTION FOUND IN THE INDUSTRIAL PRODUCTS PRICE LIST

Customer Service - Phone: 1300 349 320 Fax: 1300 349 321

www.fhshose.com.au

MELBOURNE - SYDNEY - NEWCASTLE





All dimensions are nominal. Products may vary slightly to those pictured

PRICING FOR THIS SECTION FOUND IN THE INDUSTRIAL PRODUCTS PRICE LIST

Customer Service - Phone: 1300 349 320 Fax: 1300 349 321

www.fhshose.com.au

MELBOURNE - SYDNEY - NEWCASTLE





All dimensions are nominal. Products may vary slightly to those pictured

PRICING FOR THIS SECTION FOUND IN THE INDUSTRIAL PRODUCTS PRICE LIST



Customer Service - Phone: 1300 349 320 Fax: 1300 349 321

www.fhshose.com.au

MELBOURNE - SYDNEY - NEWCASTLE

Abrasives
Airbrake Fittings
Airline Couplings
Automotive Belts
Ball Valves
Bauer Fittings
Band-It
Brass Fittings
Camlock Fittings
Chain & Sprockets
Check Valves
Claw Couplers
Composite Hose
Couplings
Ducting
Filter Regulators
Fire Fittings
Gate Valves
Glue
Hose Assemblies
Hose Fittings
Hose Reels
Hydraulic Adaptors
Hydraulic Couplings
Hydraulic Hose
Industrial Belts
Layflat Hose
Nozzles
Nylon Tube
Pipe Fittings
Pneumatics
Poly Fittings
Polyurethane Tube
Pool Hose
Pressure Gauges
PTFE Fittings
Push-In Fittings
PVC Hose
Quick Couplings
Rubber Hose
Sheet Rubber
Silicone Hose
Stainless Steel Fittings
Stainless Steel Hose
Strainers
Steam Fittings
Super Clamps
Tank Fittings
Tubing
Wormdrives



FLUID HANDLING SOLUTIONS

LOCATIONS



BRAESIDE
Unit 5 / 200-208
Boundary Rd
Braeside VIC. 3195

BAYSWATER
Unit 1 / 477
Dorset Rd
Bayswater VIC. 3153

CUSTOMER SERVICE

P: 1300 349 320

F: 1300 349 321



SYDNEY
25 Clyde St
Rydalmere NSW. 2116

NEWCASTLE
Unit 2 / 34
Portside Crescent
Maryville NSW. 2293